



# Switch mode power supplies

## 12ADA series

Max. output power 12W



This product is intended for general use to feed electric and electronic devices in covered rooms, in environments without risk of explosion.

Suitable to place inside cameras of security systems

Mounting with self-adhesive tape

Stabilized output voltage

Voltage range from 3,1V to 48V

Input - twin-lead power wire with double insulation

Output - twin-lead wire

Protection degree IP20

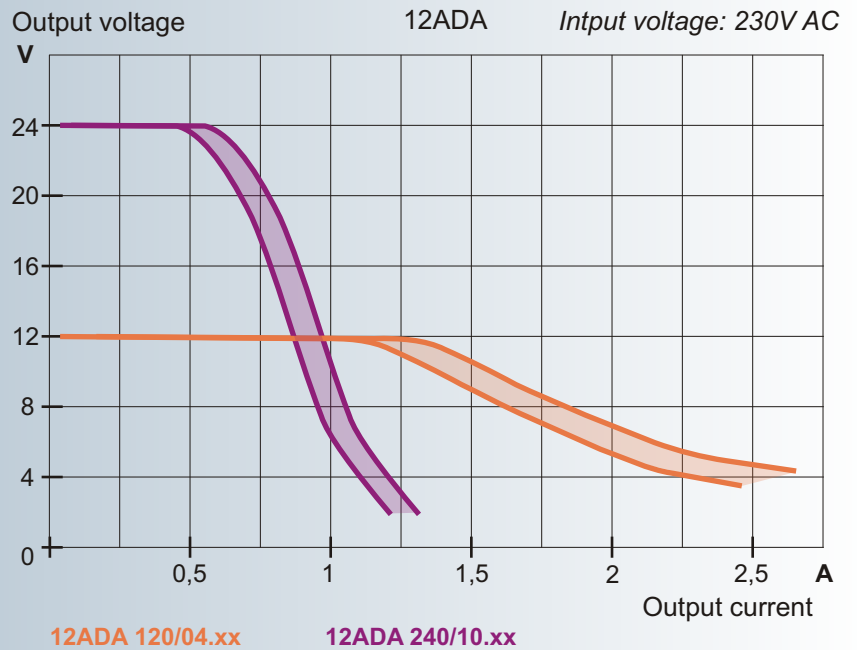
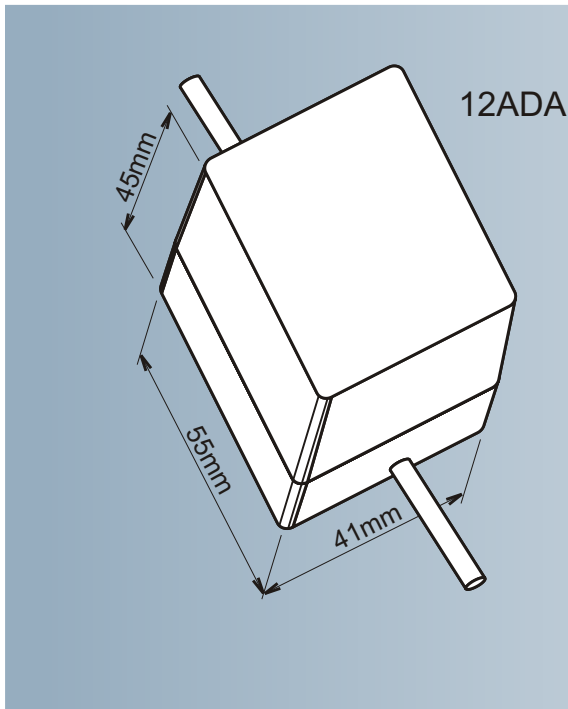
	Output voltage	Output current	Stability	Ripple 50 Hz max.	Noise p-p max.
12ADA030/10.xx	3,1 V	1 A	2 %	<70 mV	<100 mV pp
12ADA050/10.xx	5,1 V	1 A	2 %	<70 mV	<100 mV pp
12ADA069/10.xx	6,9 V	1 A	2 %	<70 mV	<100 mV pp
12ADA090/10.xx	9 V	1 A	1 %	<50 mV	<100 mV pp
12ADA120/10.xx	12 V	1 A	1 %	<50 mV	<100 mV pp
12ADA138/08.xx	13,8 V	0,8 A	1 %	<50 mV	<100 mV pp
12ADA150/07.xx	15 V	0,7 A	1 %	<60 mV	<100 mV pp
12ADA180/06.xx	18 V	0,6 A	1 %	<60 mV	<100 mV pp
12ADA240/04.xx	24 V	0,4 A	1 %	<60 mV	<100 mV pp
12ADA276/03.xx	27,6 V	0,3 A	1 %	<60 mV	<100 mV pp
12ADA480/02.xx	48 V	0,25 A	1 %	<70 mV	<100 mV pp

.xx - double-digit number define type of connector on output wire

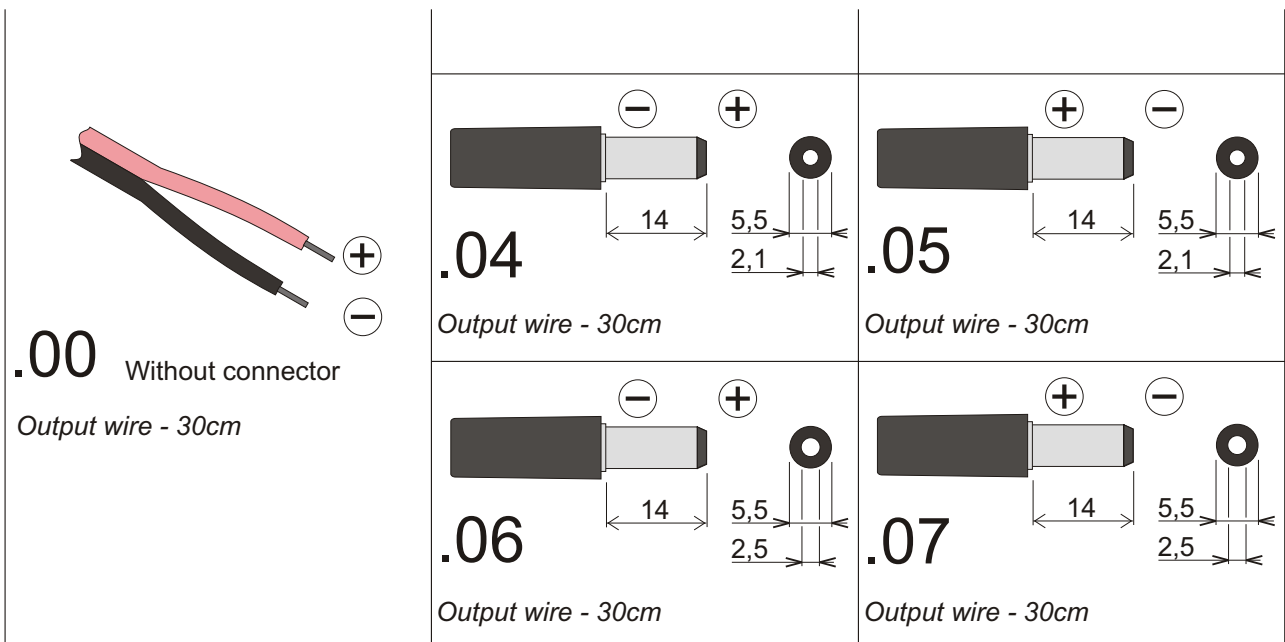
.00 - without output connector

### TECHNICAL SPECIFICATION

Input voltage	195 - 255 V AC
Operating temperature	-15 °C to +40 °C
Short-circuit protection on output	< 1 min. (short-term)
Insulation voltage	3 000 V AC
Weight	130 g
Electrical safety standard	EN 60950-1:2003
EMC standards	EN 55011+A1:2002
	EN 61000-3-2:2002
	EN 61000-3-3:2000+A1:2003
	EN 61000-6-1:2003



Customer can choose the type of connector after consultation with manufacturer.



**... mounting with self-adhesive tape series 12ADA**

This method of mounting without usage of tools and such operations as drilling is usable to advantage especially with additional installation into electric and electronic devices, e.g. placing the power supply directly into camera cover.